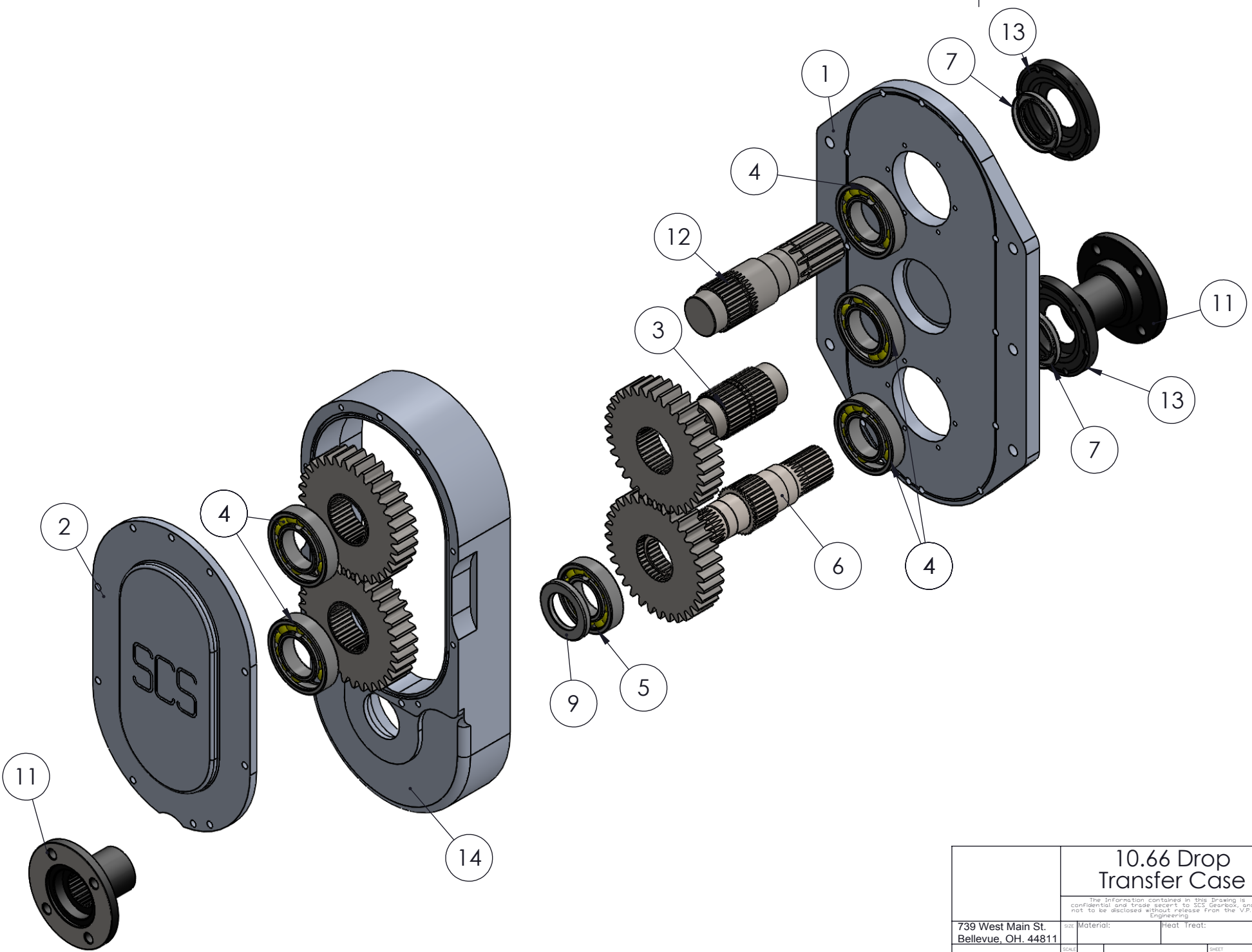
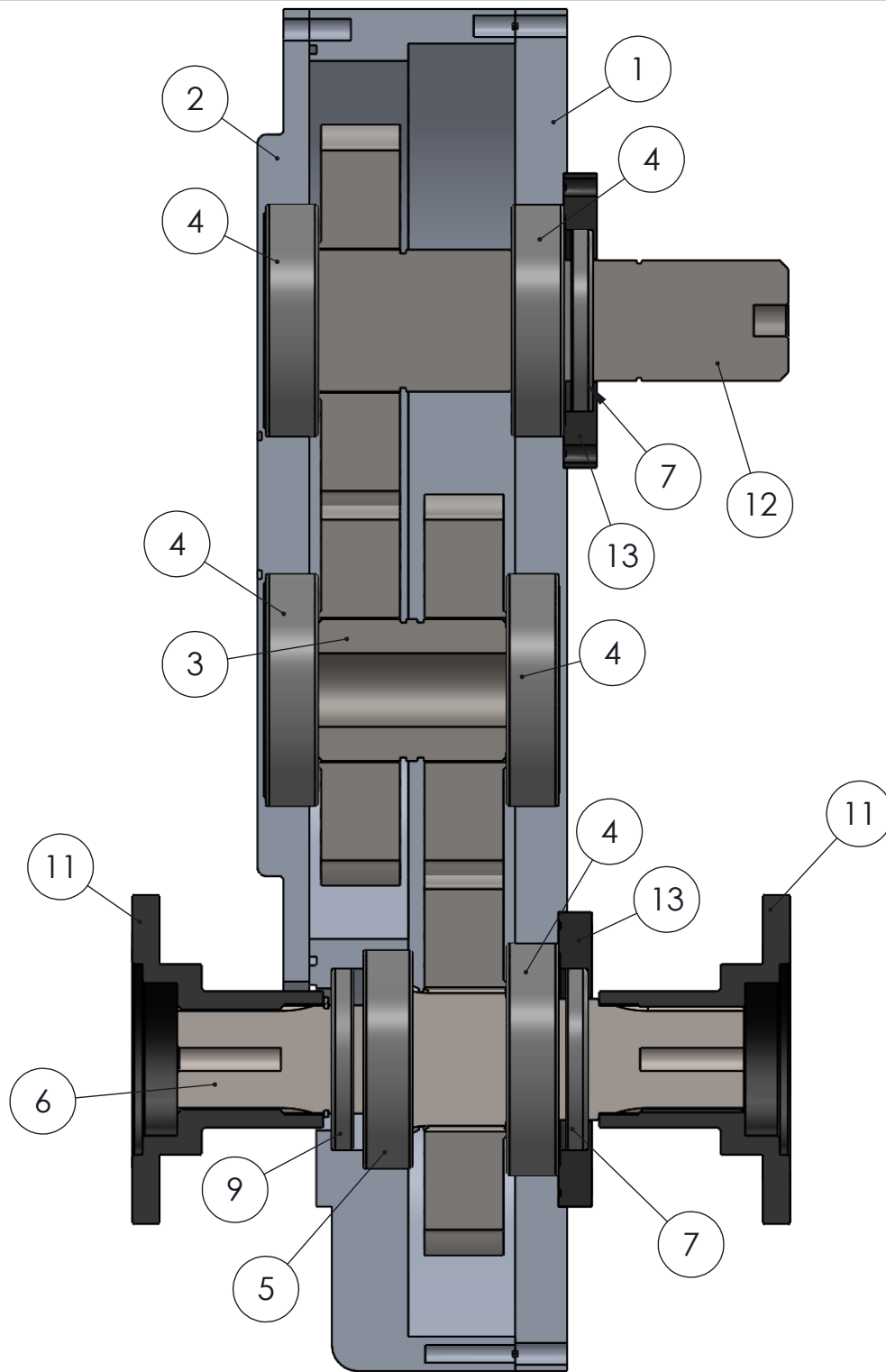


REVISIONS				
ZONE	REV	DESCRIPTION	DATE	APPROVED



739 West Main St. Bellevue, OH. 44811		<b>10.66 Drop Transfer Case</b>		
		<small>The Information contained in this Drawing is confidential and trade secret to SCS Gearbox, and is not to be disclosed without release from the V.P. of Engineering</small>		
SIZE	MATERIAL:	HEAT TREAT:	REV	
SCALE			SHEET	

REVISIONS				
ZONE	REV	DESCRIPTION	DATE	APPROVED



ITEM NO.	PART NUMBER	QTY.
1	10.66 Quick Change Front Lid	1
2	10.66 Drop Case Cover	1
3	Counter Shaft	1
4	209 C3 Ball	5
5	208	1
6	10.66 Drop Output	1
7	CR_17448	2
8	10.66 Drop Input	1
9	15699	1
10	32 Tooth Gear 1.000	4
11	Small Flange	2
12	Quick Change Input Shaft	1
13	Input Seal Ring	2
14	Straight thru Housing V2	1
15	B27.1 - NA1-156	1

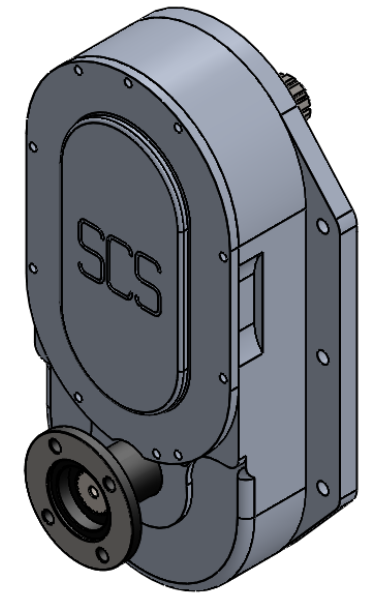
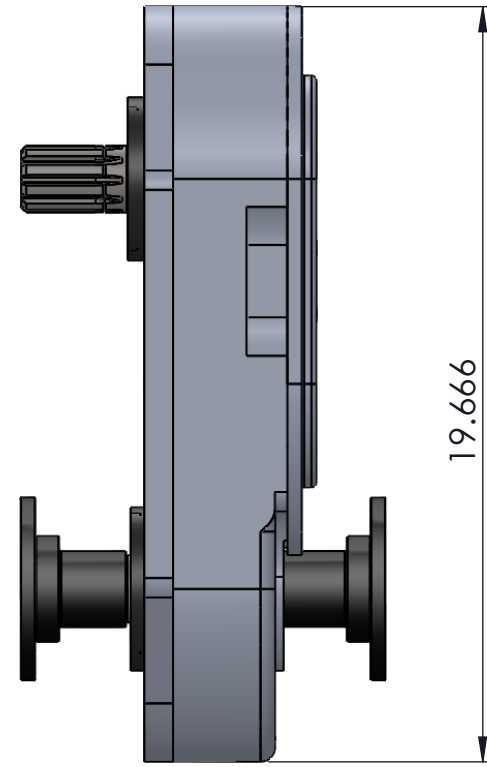
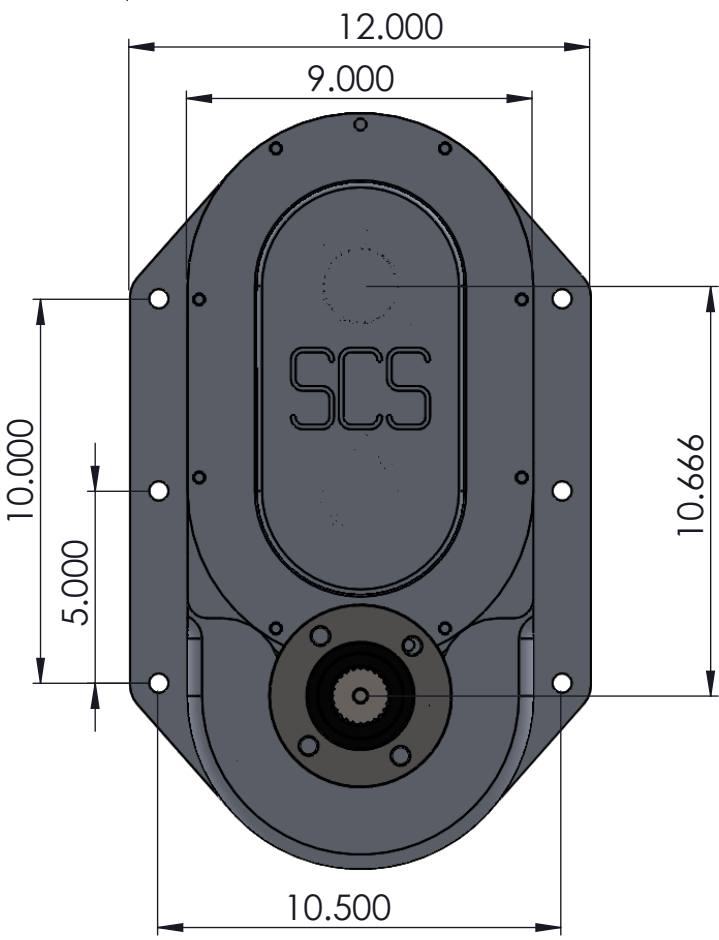
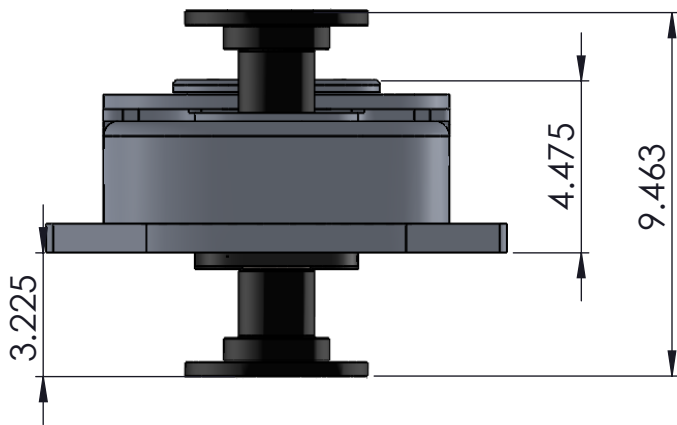



## 10.66 Drop Transfer Case

The Information contained in this Drawing is confidential and trade secret to SCS Gearbox, and is not to be disclosed without release from the V.P. of Engineering

739 West Main St. Bellevue, OH. 44811	SIZE	Material:	Heat Treat:	REV
SCALE				SHEET

REVISIONS				
ZONE	REV	DESCRIPTION	DATE	APPROVED



	<h2>10.66 Drop Transfer Case</h2>			
	<small>The Information contained in this Drawing is confidential and trade secret to SCS Gearbox, and is not to be disclosed without release from the V.P. of Engineering.</small>			
739 West Main St. Bellevue, OH. 44811	Size:	Material:	Heat Treat:	REV:
SCALE:	SHEET:	SHEET:	SHEET:	SHEET: