

REVISIONS				
ZONE	REV	DESCRIPTION	DATE	APPROVED

ITEM NO.	PART NUMBER	QTY.
1	18in case	1
2	18in plate	1
3	Quick Change Lid	1
4	Idler Shaft	2
5	Monster Truck Input Shaft	1
6	Monster Truck Counter Shaft	1
7	Monster truck output shaft	1
8	209 C3 Ball	10
9	6011_2RS1	1
10	CR_19777	1
11	CR_17448	3
12	Monster Truck Seal Ring	2
13	32 Tooth Gear 1.000	2
14	23 tooth monster truck gear	4
15	B27.1 - NA1-206	3
16	Quick Change Lid Handle	2
17	Narrow FW 0.3125	42
18	HBOLT 0.3125-18x2x0.875-N	22
19	HBOLT 0.3125-18x1x0.875-N	12
20	HX-SHCS 0.25-20x1.5x1-N	4
21	5/16 Stud x 3.5	8
22	HNUT 0.3125-18-D-N	8



18in Standard Rot. Monster Case

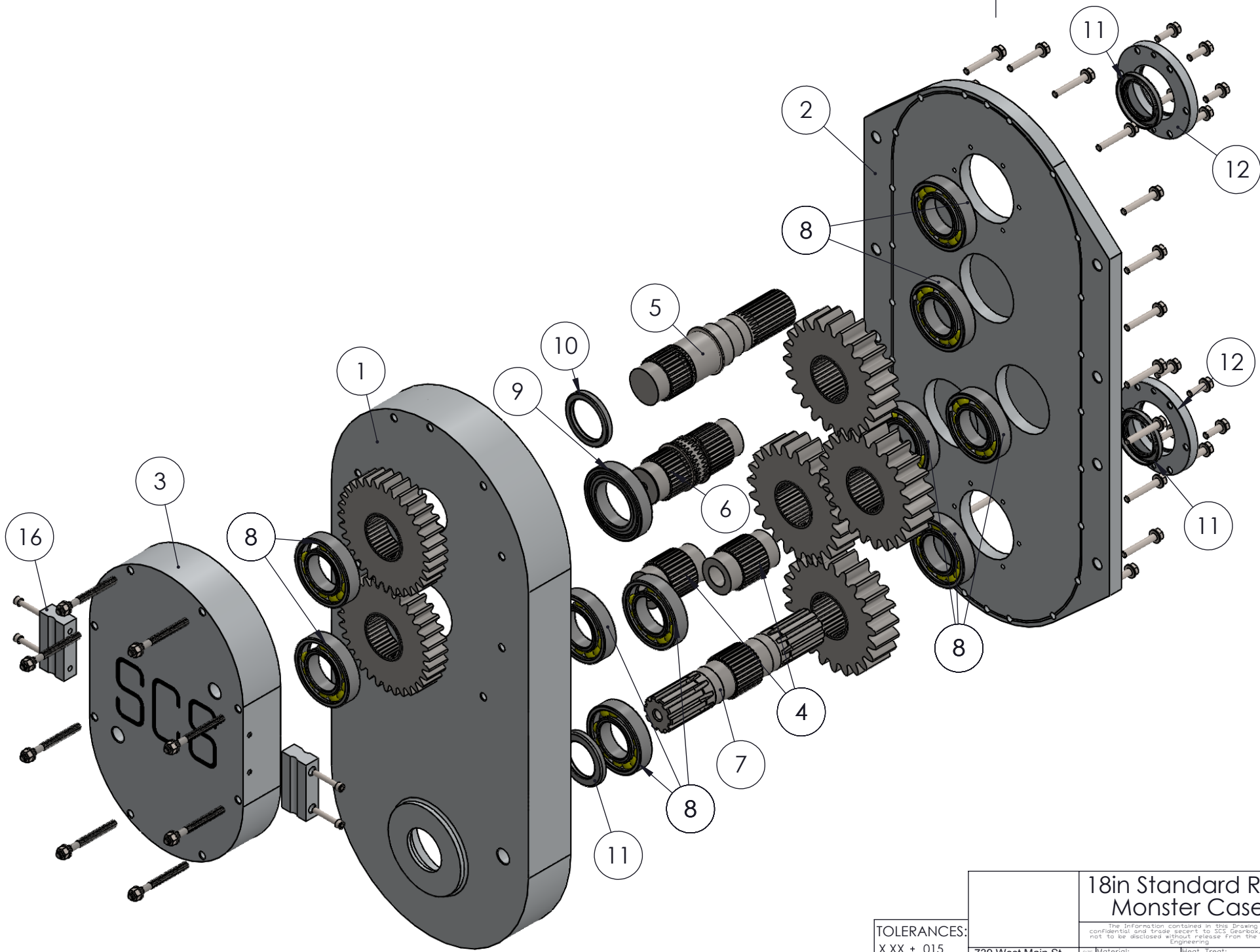
TOLERANCES:
 X.XX ± .015
 X.XXX ± .005
 X.XXXX ± .0005

739 West Main St.
 Bellevue, OH. 44811

The Information contained in this Drawing is confidential and trade secret to SCS Gearbox, and is not to be disclosed without release from the V.P. of Engineering.

SIZE	Material:	Heat Treat:	REV
SCALE			
			SHEET

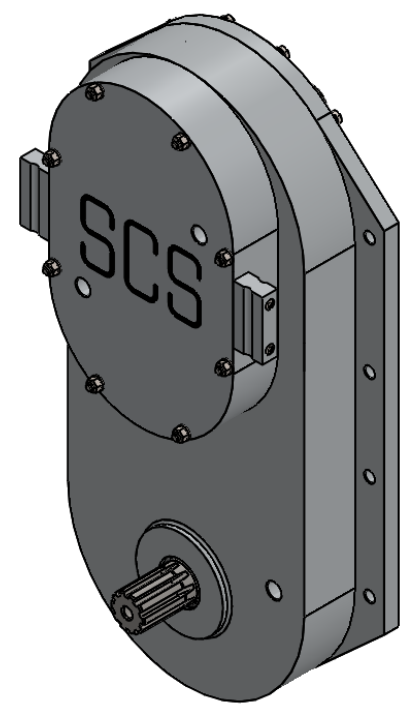
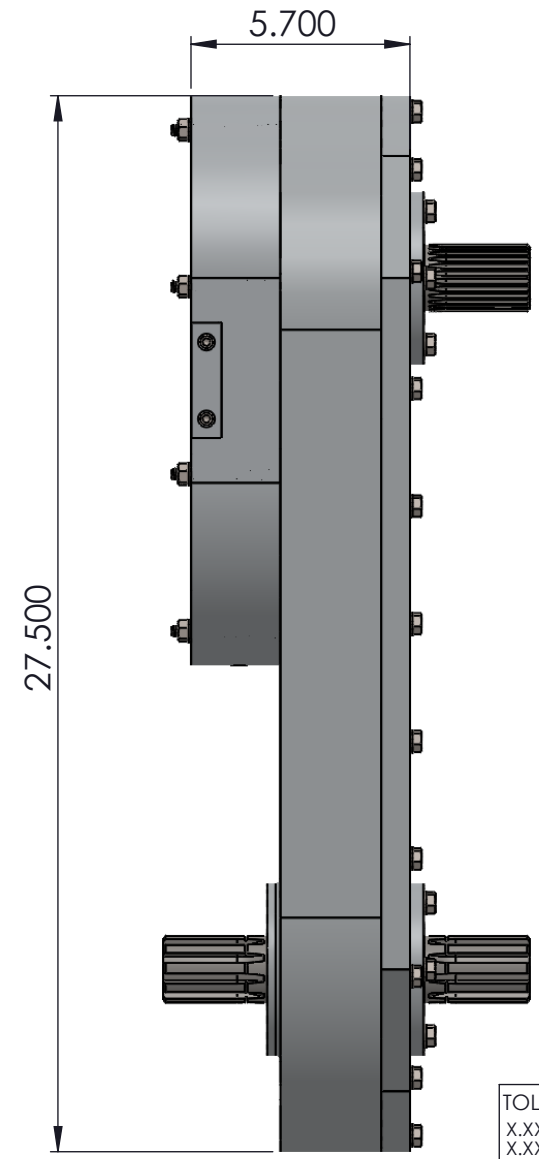
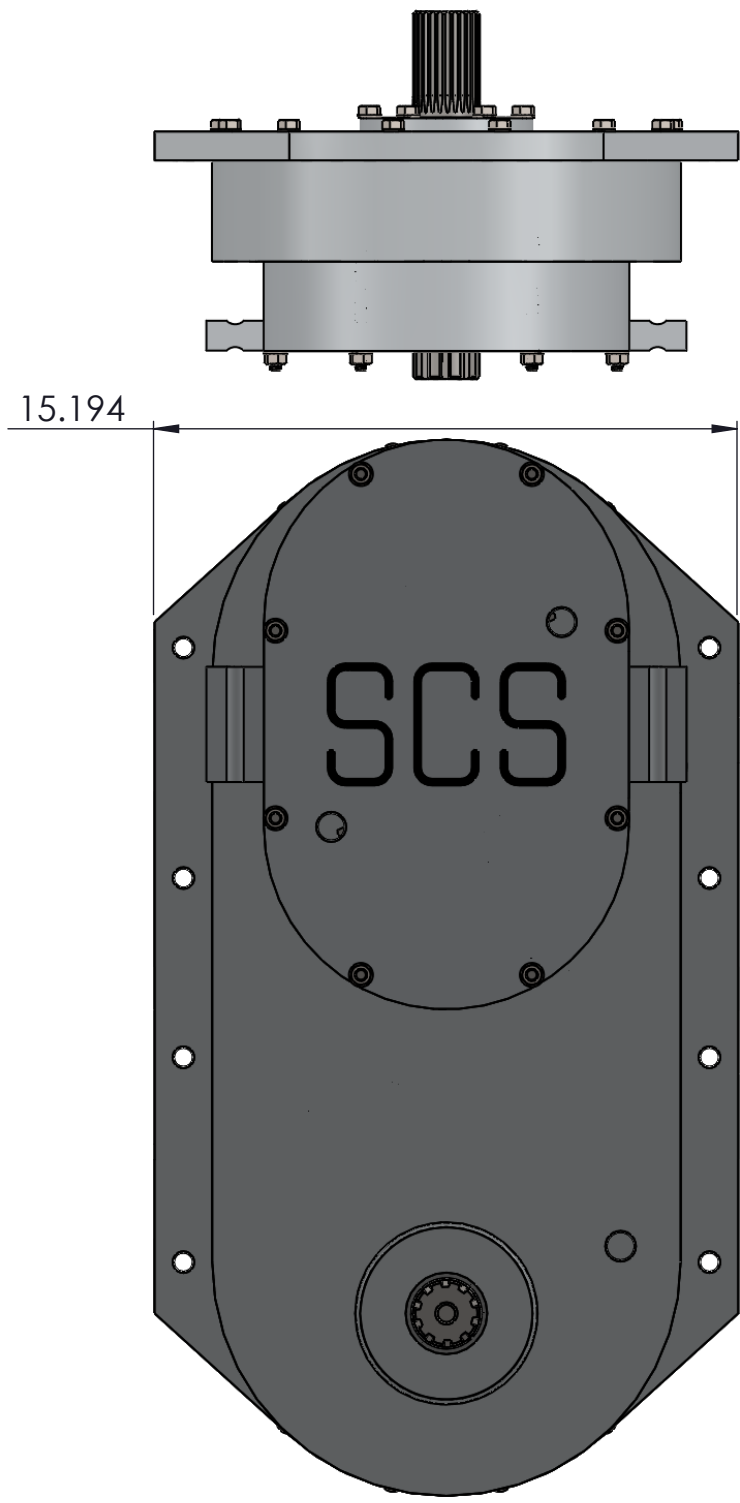
ZONE		REV	DESCRIPTION	DATE	APPROVED



TOLERANCES:
 X.XX ± .015
 X.XXX ± .005
 X.XXXX ± .0005

739 West Main St. Bellevue, OH. 44811		18in Standard Rot. Monster Case	
		The Information contained in this Drawing is confidential and trade secret to SCS Gearbox, and is not to be disclosed without release from the V.P. of Engineering	
SIZE	Material:	Heat Treat:	REV
SCALE			SHEET

REVISIONS				
ZONE	REV	DESCRIPTION	DATE	APPROVED



TOLERANCES:
 X.XX ± .015
 X.XXX ± .005
 X.XXXX ± .0005



739 West Main St.
 Bellevue, OH. 44811

18in Standard Rot. Monster Case		The Information contained in this Drawing is confidential and trade secret to SCS Gearbox, and is not to be disclosed without release from the V.P. of Engineering.	
Material:	Heat Treat:	SIZE	REV
SCALE			SHEET