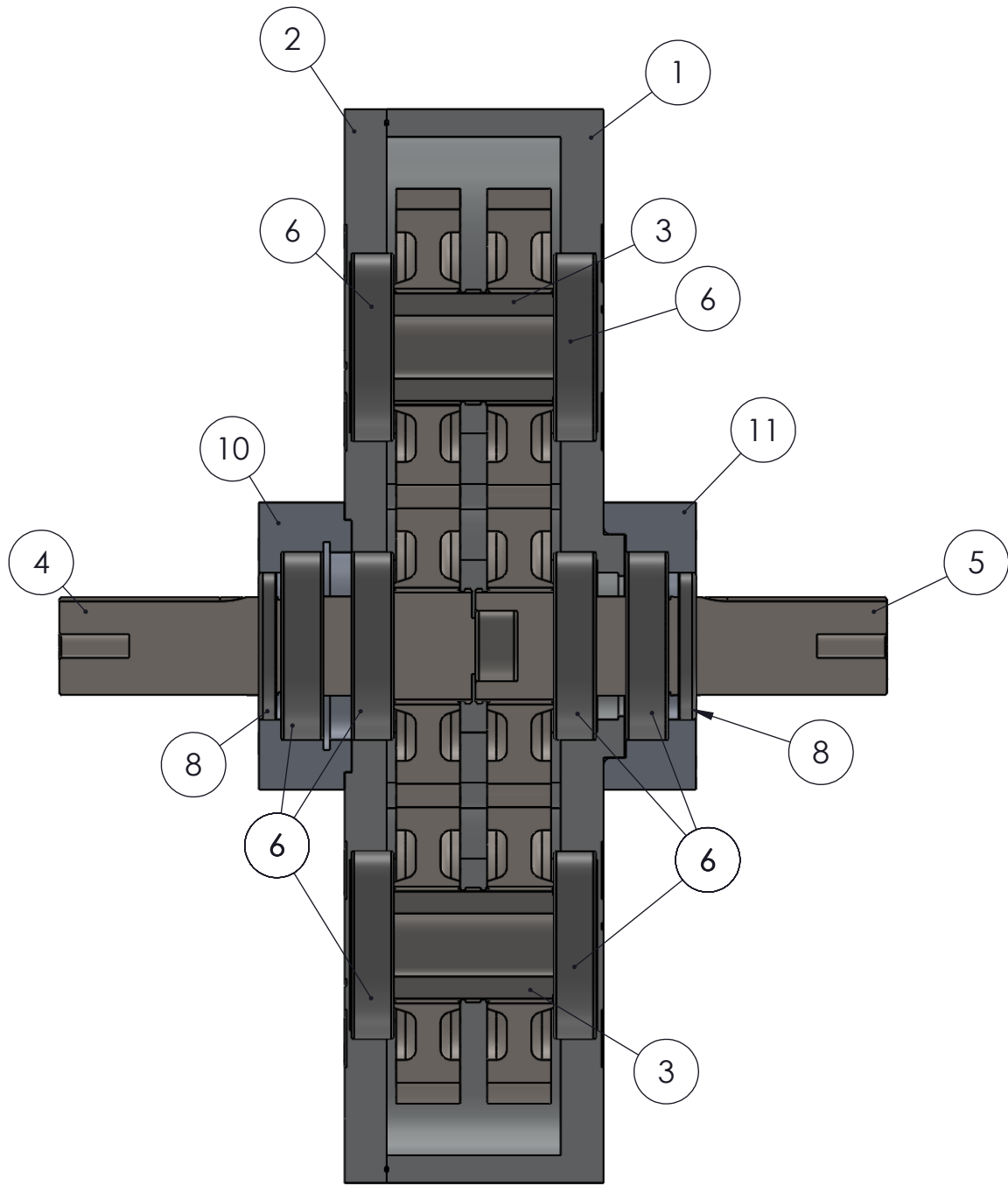


Tolerances
 X.XX ± .015
 X.XXX ± .005
 X.XXXX ± .0005

739 West Main St. Bellevue, OH. 44811		Material:		Heat Treat:		REV

Take Out Box

The Information contained in this Drawing is confidential and trade secret to SCS Gearbox, and is not to be disclosed without release from the V.P. of Engineering



ITEM NO.	PART NUMBER	QTY.
1	Take Out Case	1
2	Take Out Plate	1
3	Take Out Countershaft	2
4	Take Out Input	1
5	Take Out Output	1
6	209 C3 Ball	8
7	Koyo B-1612	1
8	CR_17448	2
9	32 Tooth Gear 1.000	6
10	Take Out Lid Seal Ring	1
11	Take Out Case Seal Ring	1

SECTION A-A
SCALE 1 : 3

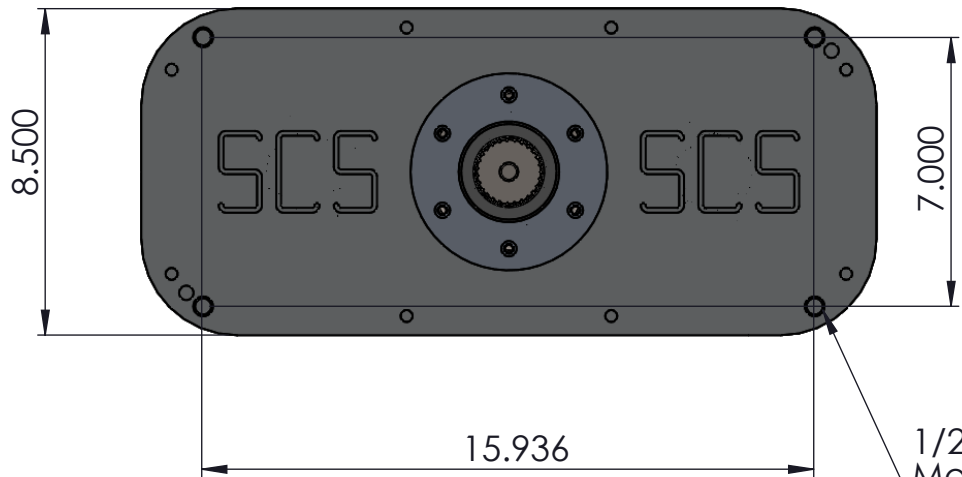
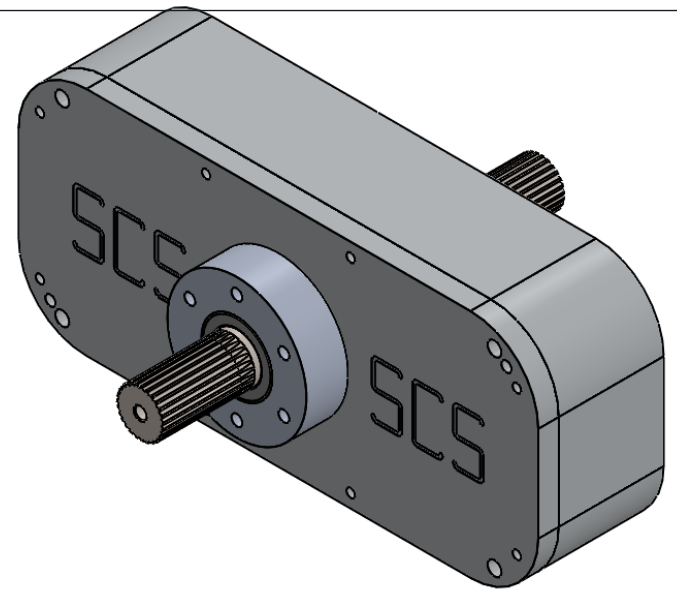
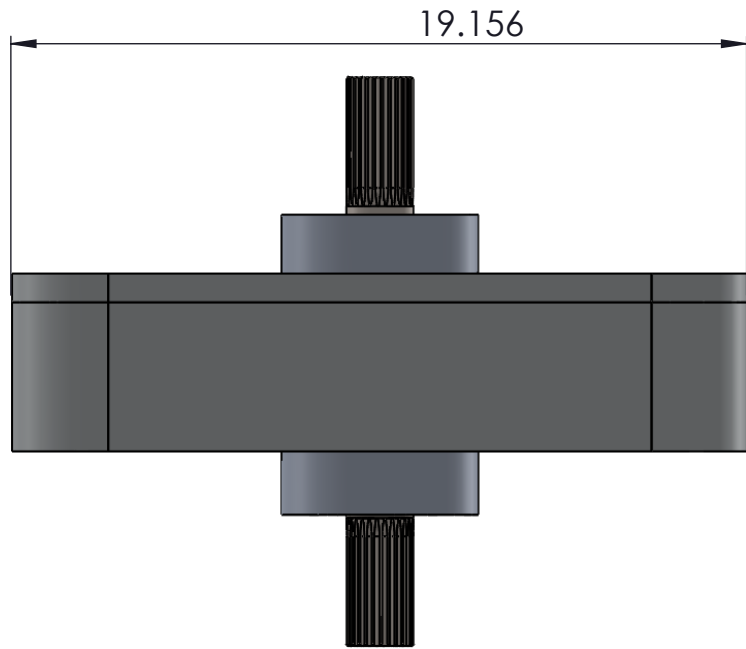
Tolerances
 X.XX ± .015
 X.XXX ± .005
 X.XXXX ± .0005



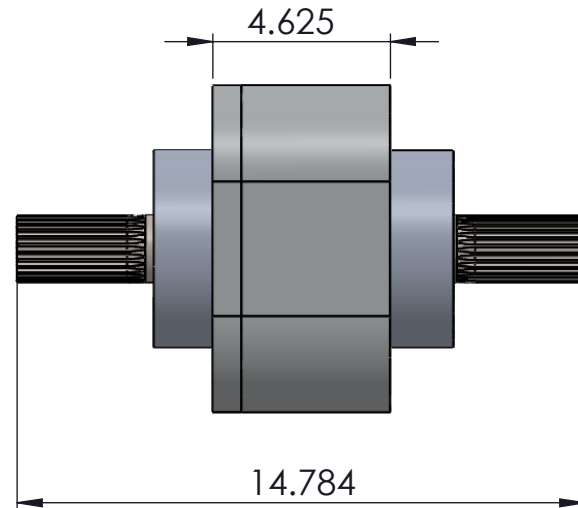
Take Out Box

The Information contained in this Drawing is confidential and trade secret to SCS Gearbox, and is not to be disclosed without release from the V.P. of Engineering

739 West Main St. Bellevue, OH. 44811	Material:	Heat Treat:	REV
SCALE:			SHEET



1/2-13
Mounting Holes



Tolerances
 X.XX ± .015
 X.XXX ± .005
 X.XXXX ± .0005



739 West Main St.
 Bellevue, OH. 44811

Take Out Box

The Information contained in this Drawing is confidential and trade secret to SCS Gearbox, and is not to be disclosed without release from the V.P. of Engineering

SIZE	Material:	Heat Treat:	REV
SCALE			SHEET