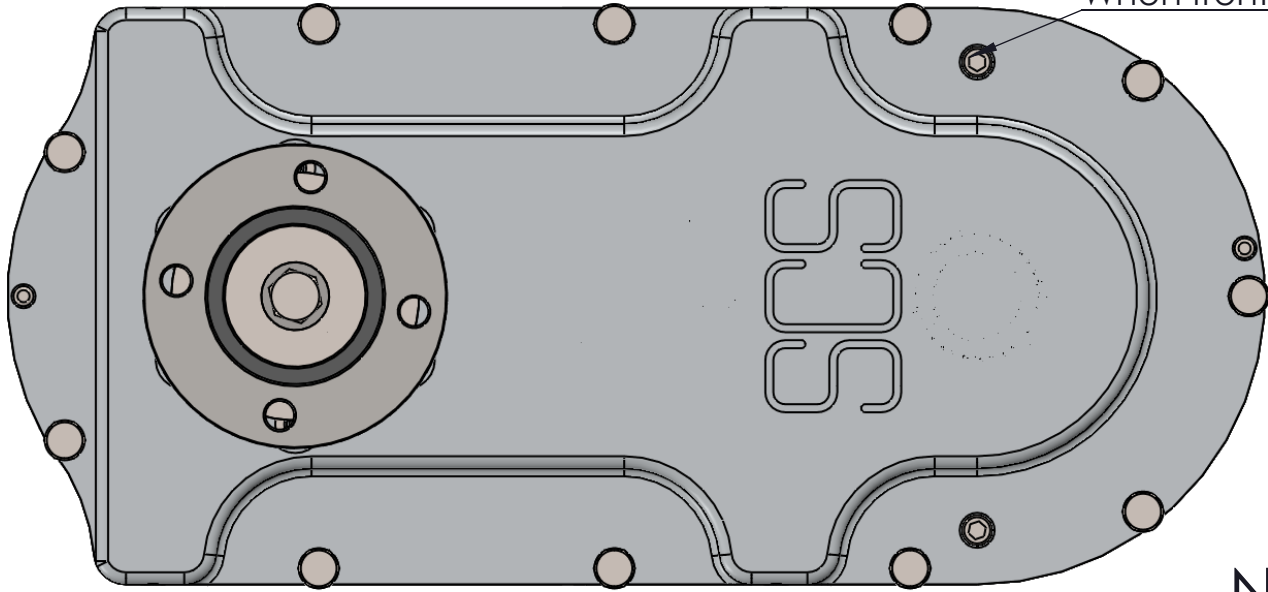


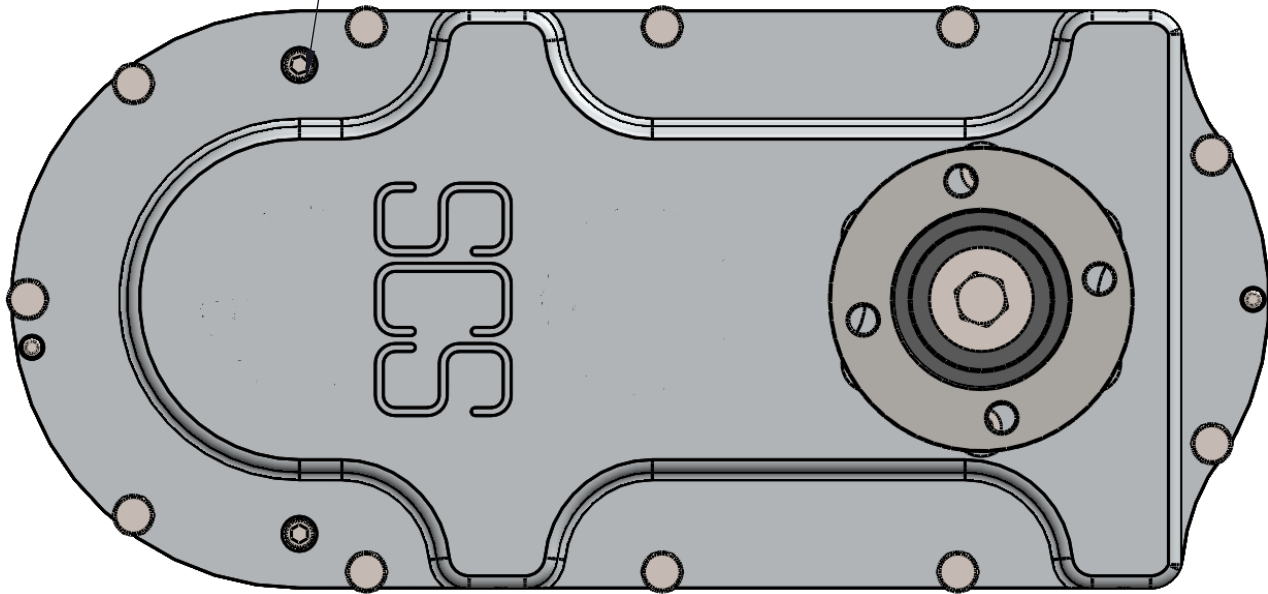
REVISIONS				
ZONE	REV	DESCRIPTION	DATE	APPROVED


When front output is passenger side, here



Note: Fill with 80-90  
Synthetic Gear Lube  
Capacity: 1-1/4 Quarts

When front output is driver side, fill here



	Straight Thru T. Case			
	<small>The information contained in this drawing is confidential and trade secret to SCS Gearbox, and is not to be disclosed without release from the V.P. of Engineering.</small>			
739 West Main St. Bellevue, OH. 44811	SIZE	FORM NO.	DWG NO.	REV
SCALE				SHEET