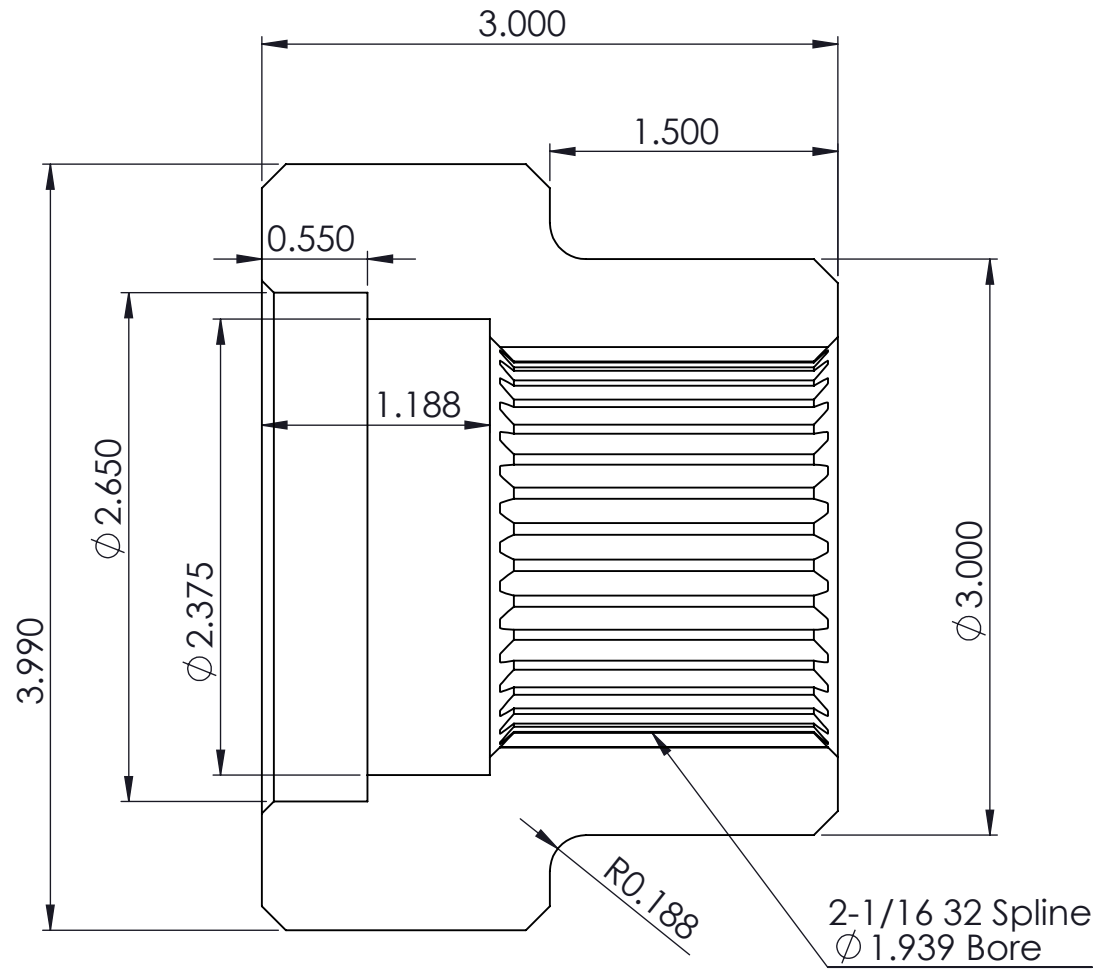
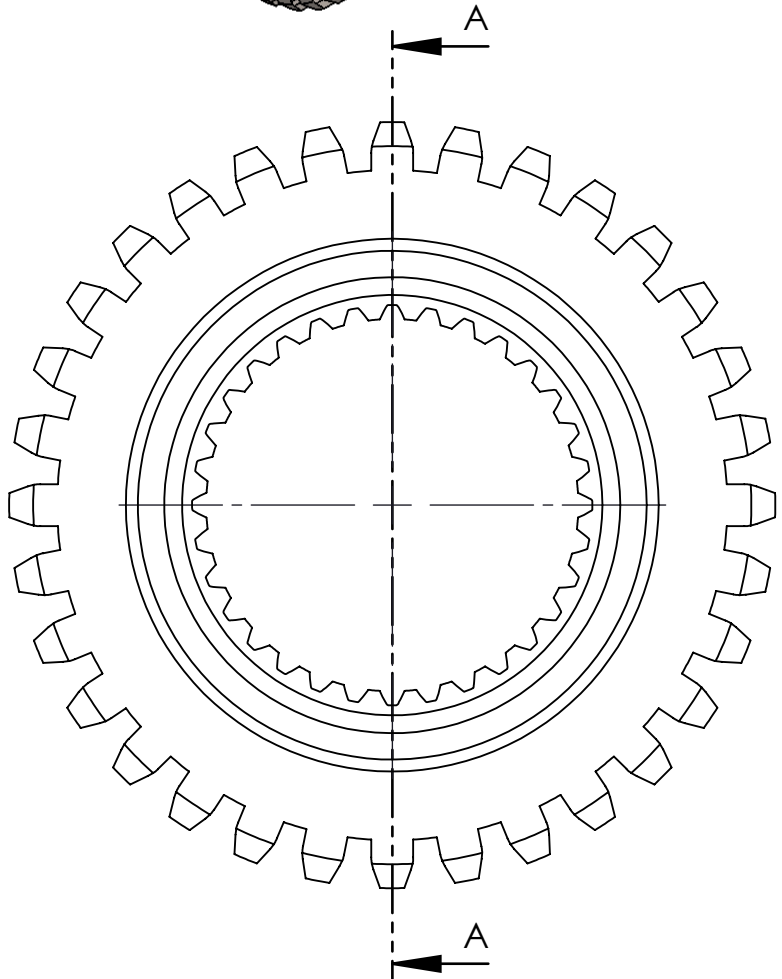
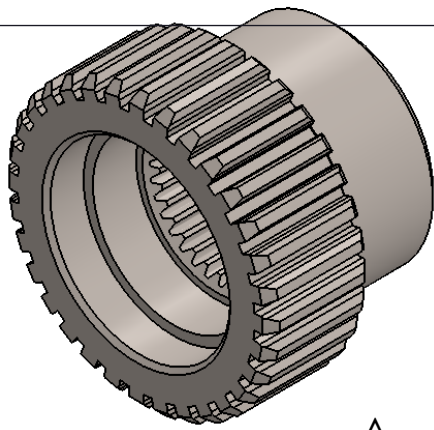


REVISIONS				
ZONE	REV	DESCRIPTION	DATE	APPROVED



SECTION A-A
SCALE 1 : 1

Fanuc 70-71



Large Male Coupler

The information contained in this drawing is confidential and trade secret to SCS Gearbox, and is not to be disclosed without release from the V.P. of Engineering.

739 West Main St. Bellevue, OH. 44811	SIZE	Material:	Heat Treat:	REV
SCALE				SHEET