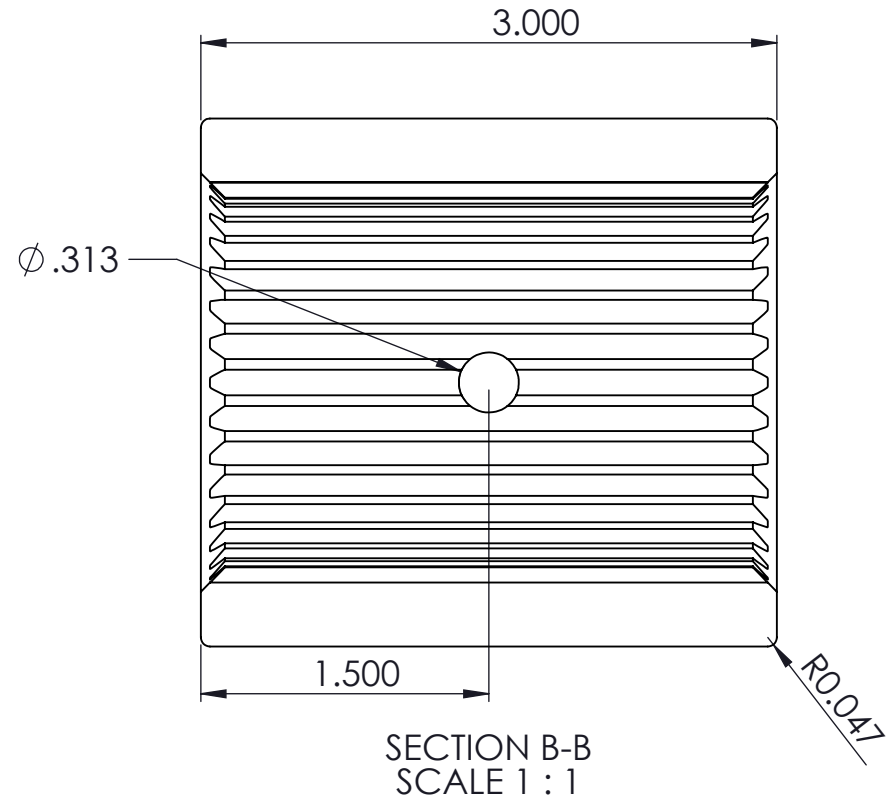
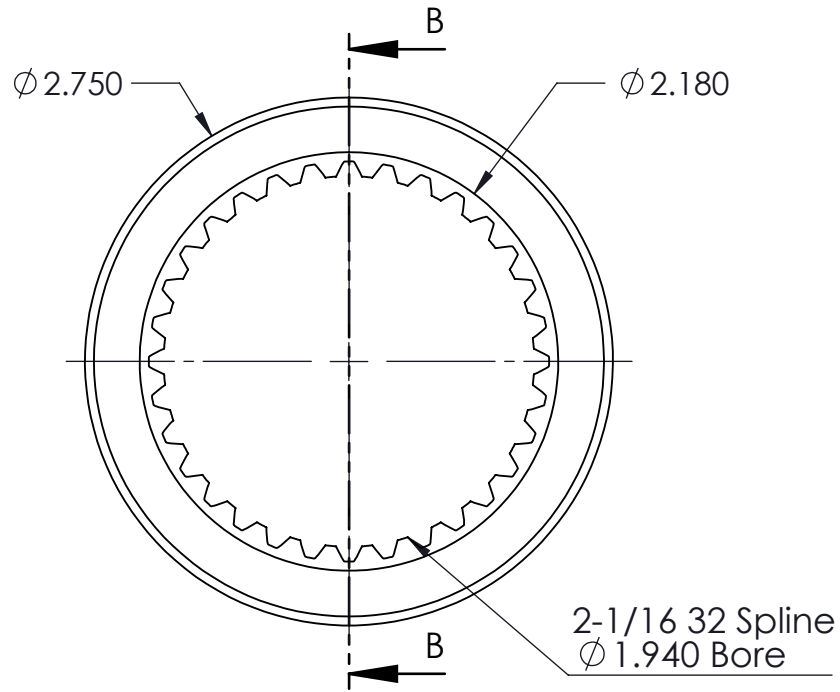
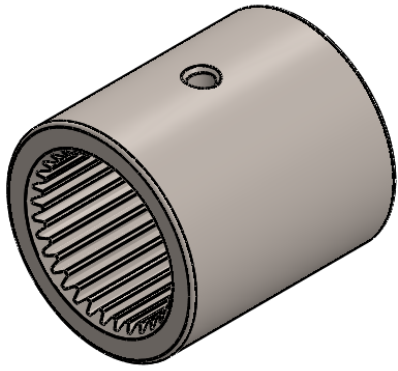


REVISIONS				
ZONE	REV	DESCRIPTION	DATE	APPROVED



### 32 Spline 3in Coupler

**TOLERANCES:**  
 X.XX  $\pm .015$   
 X.XXX  $\pm .005$   
 X.XXXX  $\pm .0005$

739 West Main St.  
 Bellevue, OH. 44811

The Information contained in this Drawing is confidential and trade secret to SCS Gearbox, and is not to be disclosed without release from the V.P. of Engineering

SIZE	Material:	Heat Treat:	REV