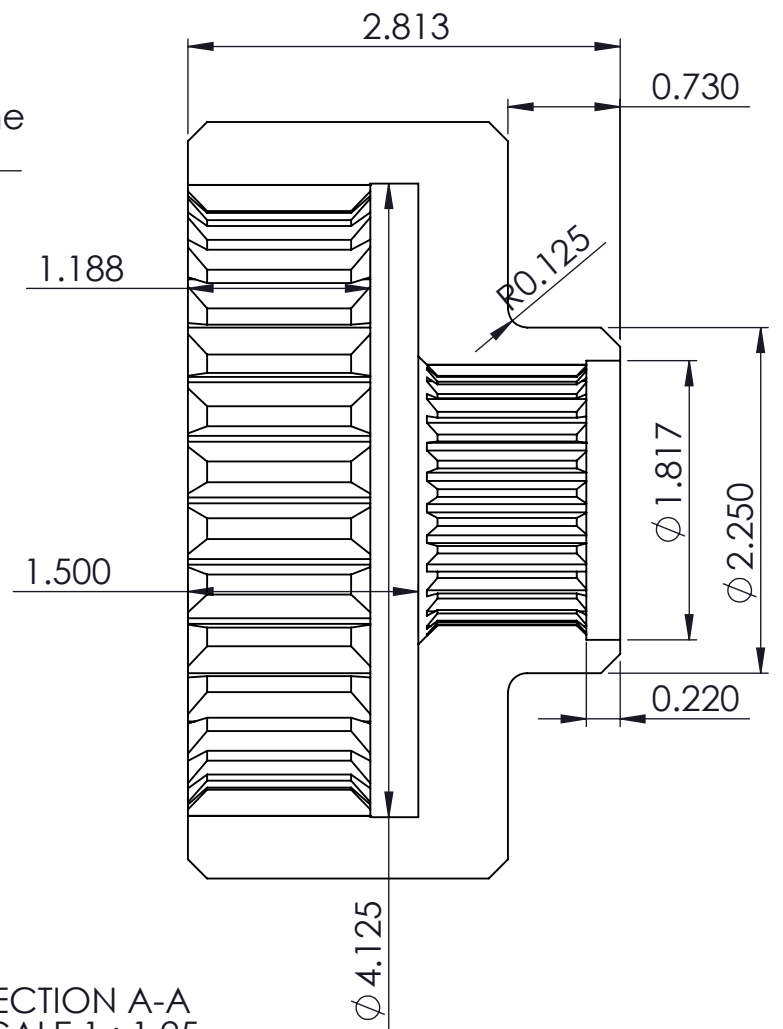
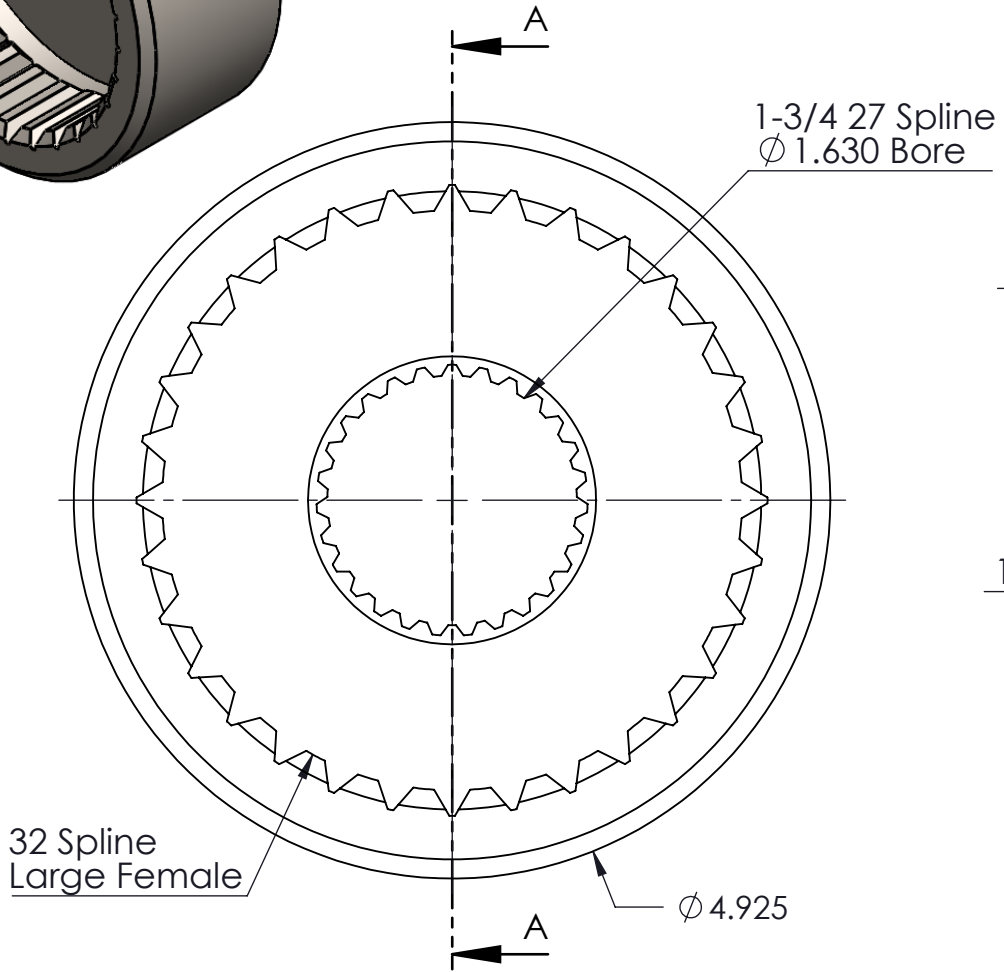
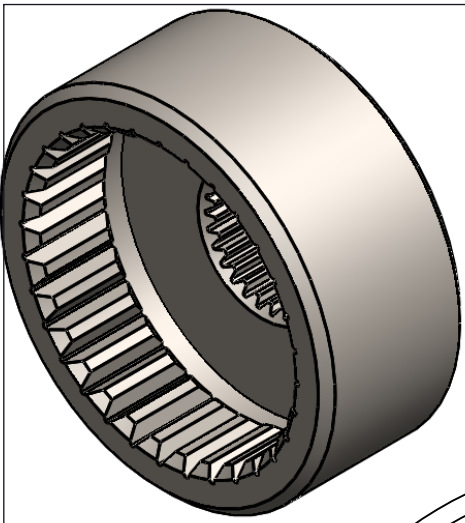


| REVISIONS |     |             |      |          |
|-----------|-----|-------------|------|----------|
| ZONE      | REV | DESCRIPTION | DATE | APPROVED |
|           |     |             |      |          |



SECTION A-A  
 SCALE 1 : 1.25



Maibach Female Coupler

TOLERANCES:  
 X.XX  $\pm$  .015  
 X.XXX  $\pm$  .005  
 X.XXXX  $\pm$  .0005

739 West Main St.  
 Bellevue, OH. 44811

The information contained in this drawing is confidential and trade secret to SCS Gearbox, and is not to be disclosed without release from the V.P. of Engineering.

|           |             |       |
|-----------|-------------|-------|
| Material: | Heat Treat: | REV   |
|           |             |       |
| SCALE:    |             | SHEET |