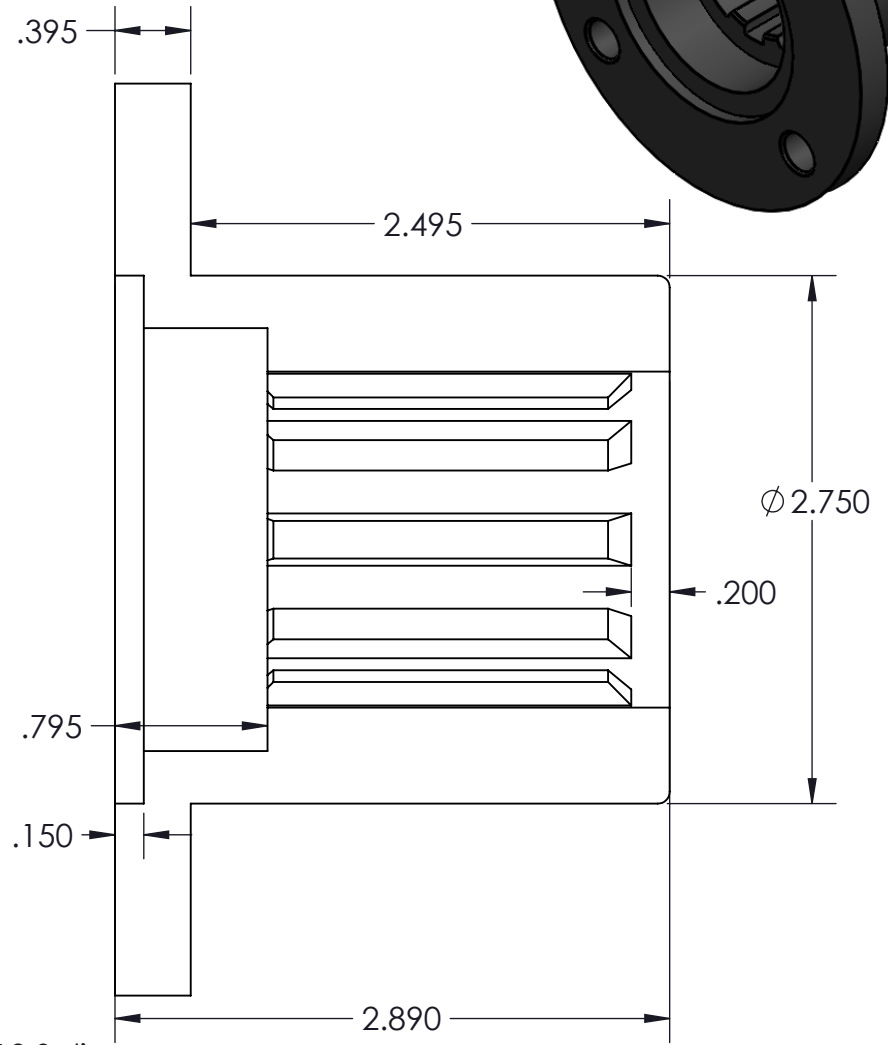
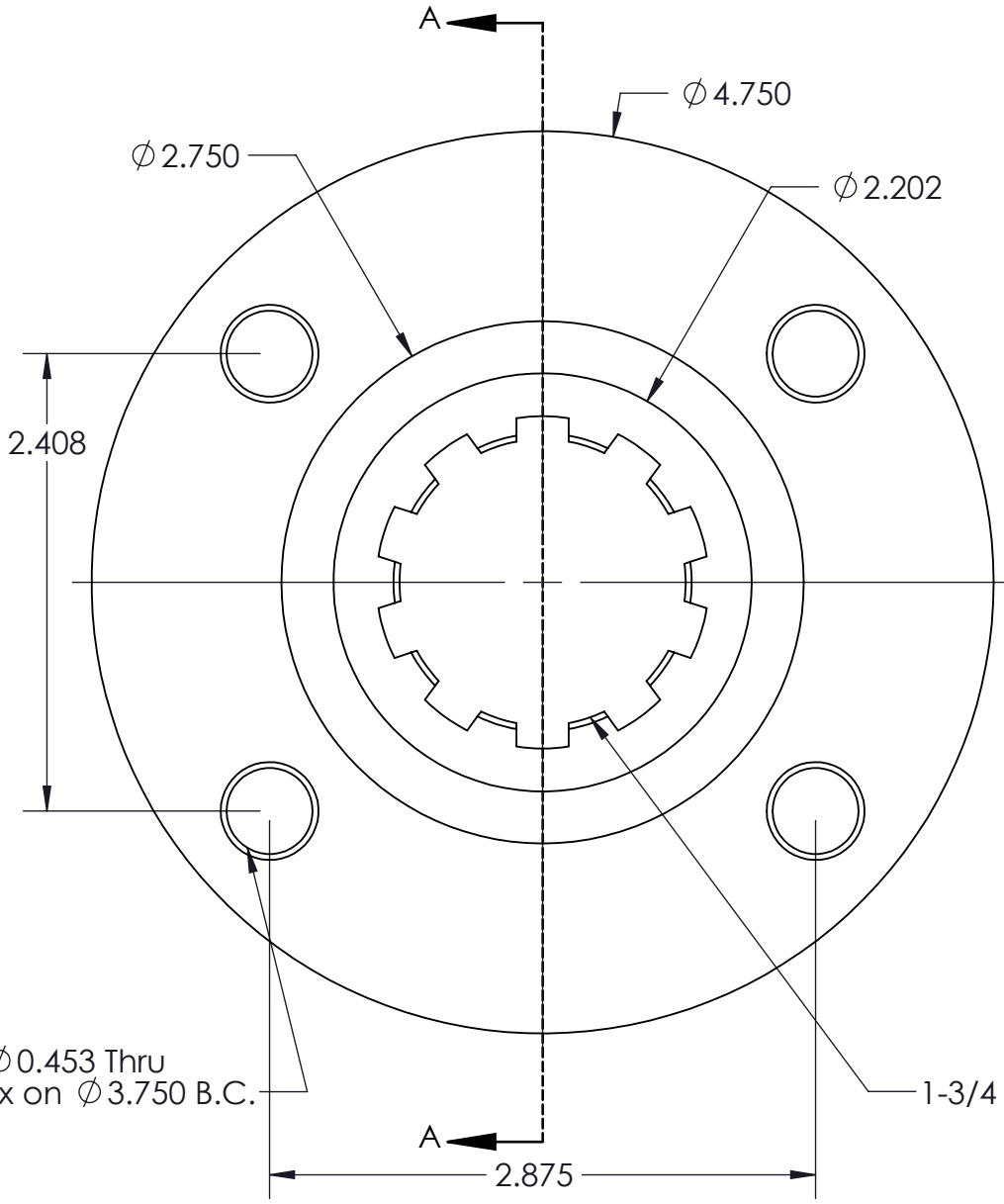
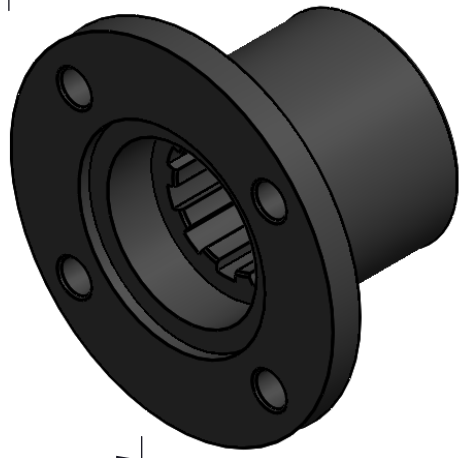


REVISIONS				
ZONE	REV	DESCRIPTION	DATE	APPROVED



SECTION A-A
SCALE 1 : 1



1350 Flange

The information contained in this drawing is confidential and trade secret to SCS Gearbox, and is not to be disclosed without release from the V.P. of Engineering.

739 West Main St. Bellevue, OH. 44811	SIZE	FORM NO.	DWG NO.	REV
SCALE	SHEET			