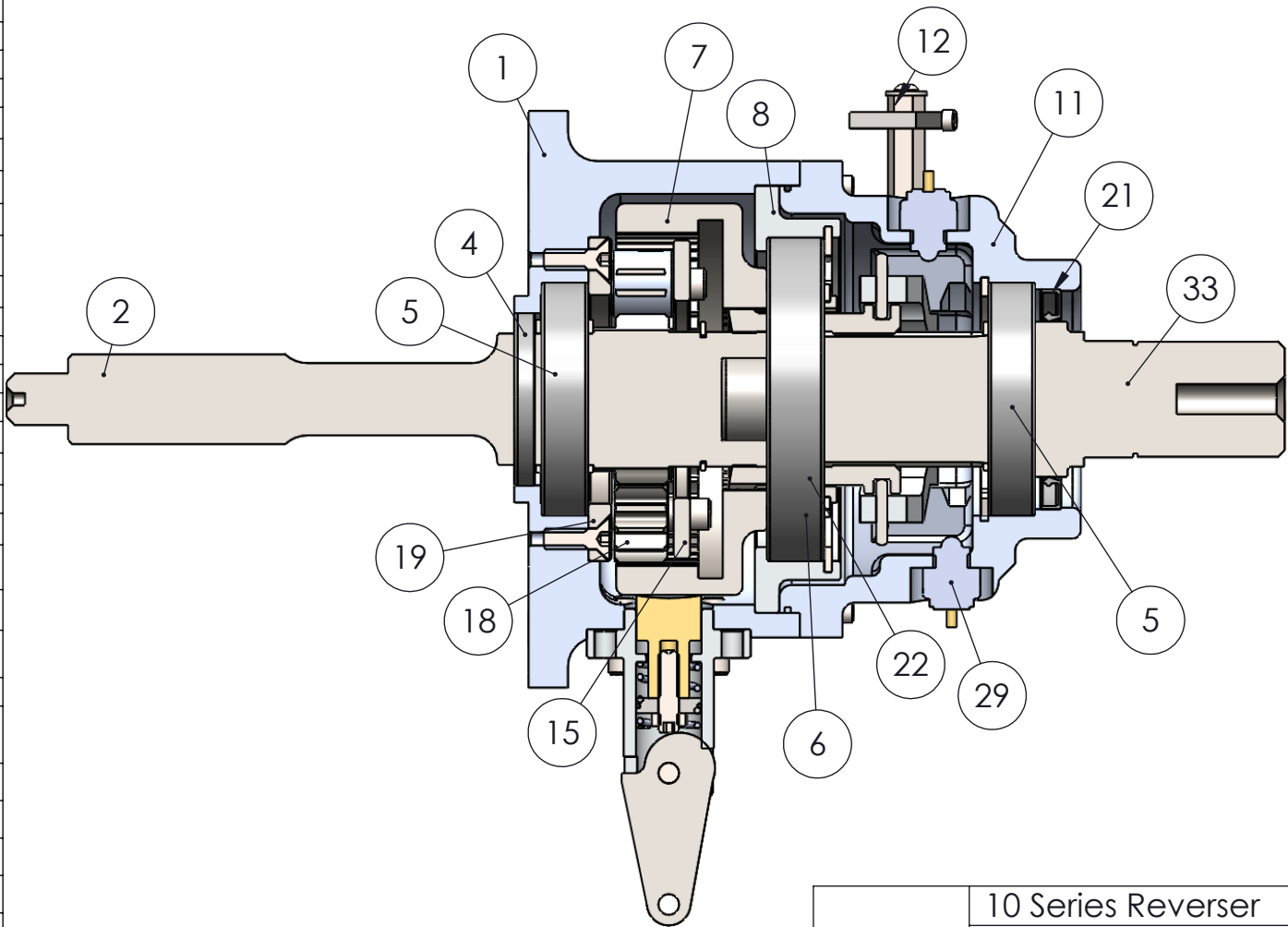

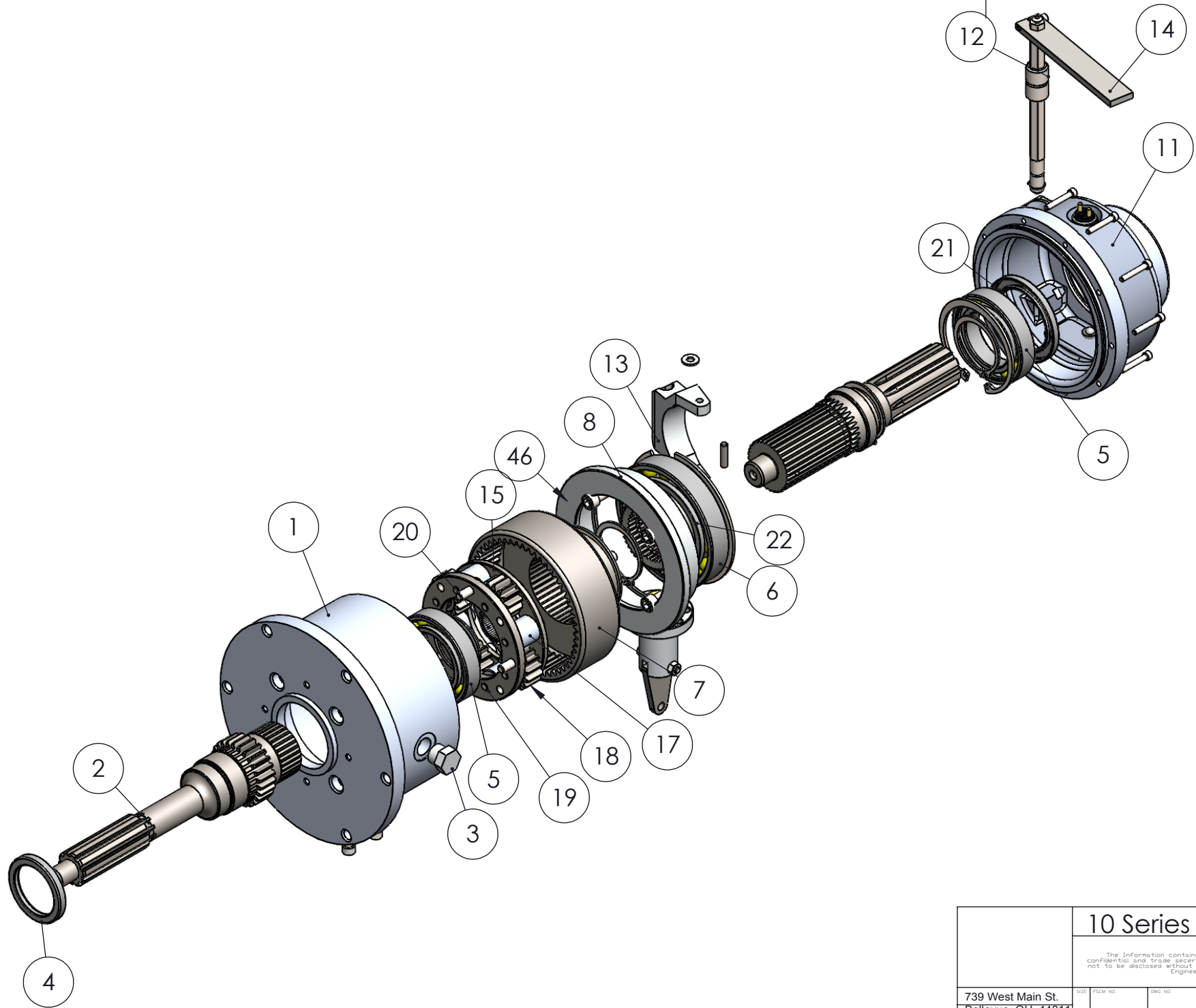


ITEM NO.	PART NUMBER	Description	1.75 Short Output/QTY.
1	10 Series Housing	SCS-REV-10S-HOUSING	1
2	10 Series input Shaft	SCS-REV-10S-IS-1.375-10SP	1
3	Drain Plug	SCS-DRNPLG-750	2
4	CR_19777	BDIC/R 19777	1
5	6011-C3	SKF6011/C3	2
6	6016-C3	SKF6016/C3	1
7	10 Series Ring Gear	SCS-REV-10S-RINGGEAR	1
8	10 Series Bearing Support	SCS-REV-10S-BRGSPT	1
9	Lee Spring 1.125	LS-LC 026B 17 M	1
10	.187 Ball	BDIH/B CS 3/16 GR 25	1
11	10 Series Case	SCS-REV-10S-CASE	1
12	10 Series Hex Shaft	SCS-REV-10S-HXST	1
13	10 Series Shift Fork	SCS-REV-10S-STFK	1
14	Shift Lever	SCS-REV-10S-STLR	1
15	10 Series Planetary Plate	SCS-REV-10S-PRYPLT	1
16	10 Series Planetary Pin	SCS-REV-10S-PRYPIN	4
17	10 Series Planetary Stand	SCS-REV-10S-PRYSND	4
18	10 Series Planetary Gear	SCS-REV-10S-PRYGEAR	4
19	10 Series Planetary Bottom Plate	SCS-REV-10S-PRYPLT-BTM	1
20	Koyo B-1612	BDIKOY B-1612	1
21	CR_23447	BDI60X85X8 CRW1 V	1
22	10 Series Shift Collar	SCS-REV-10S-SFTCLR	1
23	10 Series Brake	SCS-REV-10S-BRAKE-STD	1
24	10-24 X 1.00 CAP SCREW	ZIE10C100KCS	1
25	212 Snap Ring	BDIROR SH-212ST PA	2
26	206 Snap Ring	BDIROR SH-206ST PA	2
27	500 INT. SNAP RING	BDIROR HO-500ST PA	1
28	315 Snap Ring	BDIROR SH315ST PA	1
29	Allison Transmission Sensor	TP-TN40035	2
30	10 Series Shift Fork Pin (1.000 Long)	ZIE25R100PDP	2
31	3/8-24 X 1.00 CAP SCREW	ZIE37F100KCS/FINE	4
32	1/4 X 5/8 FLAT WASHER	ZIE25NWSF3	2
33	10 Series Output Shaft 1.75-10 Short	SCS-REV-10S-OS-10SPLINE-SHORT	1
34	5/16-18 X .875 CAP SCREW	ZIE31C87KCS	4
35	10-24 X 1.25 CAP SCREW	ZIE10C125KCS	10
36	10-32 X .50 BUTTON HEAD CAP SCREW	ZIE10F50KBCS/FINE	2
37	350 INT. SNAP RING	BDIROR HO-350ST PA	1
38	050 Snap Ring	BDIROR SHR-50ST PA	1
39	5/16-18 X 1.50 CAP SCREW	ZIE31C150KCS	8
40	5/16-18 X 1.00 FLAT SOCKET HEAD CAP SCREW	ZIE31C100KFC	4



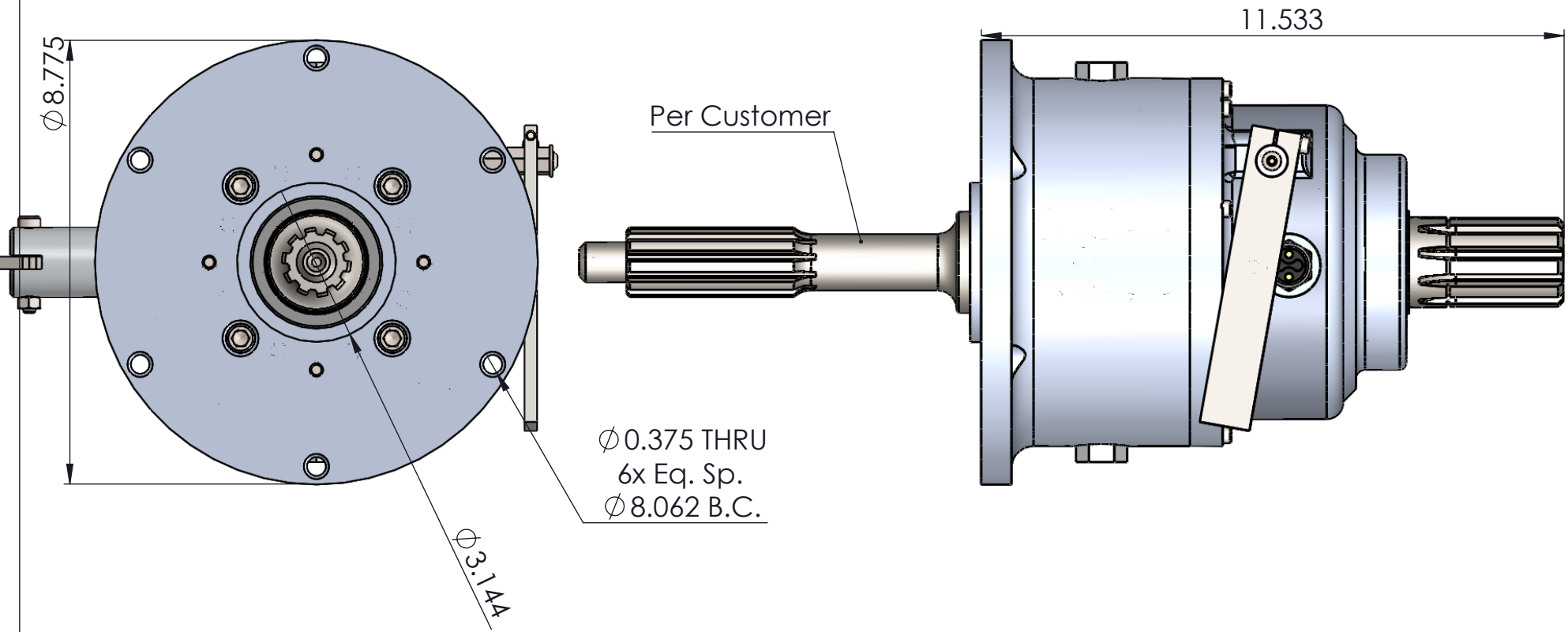
REVISIONS				
ZONE	REV	DESCRIPTION	DATE	APPROVED

		10 Series Reverser		
		<small>The information contained in this drawing is confidential and trade secret to SCS Gearbox, and is not to be disclosed without release from the V.P. of Engineering.</small>		
739 West Main St. Bellevue, OH. 44811		<small>SIZE</small> <small>FROM NO.</small>	<small>DWG NO.</small>	<small>REV</small>
<small>SCALE</small>		<small>SHEET</small>		



739 West Main St. Bellevue, OH. 44811		10 Series Reverser		
		The information contained in this drawing is confidential and trade secret to SCS Gearbox, and is not to be disclosed without release from the V.P. of Engineering.		
SIZE	FORM NO.	DWG NO.	REV	
SCALE	SHEET			

REVISIONS				
ZONE	REV	DESCRIPTION	DATE	APPROVED



Oil Capacity: 1 Pint



10 Series Reverser

The information contained in this drawing is confidential and trade secret to SCS Gearbox, and is not to be disclosed without release from the V.P. of Engineering.

739 West Main St. Bellevue, OH. 44811	SIZE	Material:	Heat Treat:	REV
SCALE				SHEET